

Thermometer

type IFC with capillary
panel mounting

E 10.24.01

Ed.17.01

Design	Expansion thermometer with capillary for panelmounting in standard design
Type	IFC
Accuracy	Cl. 2,0%
Case dim	Dim 60, 80, 100, 72x72 or 96x96 mm Special option dim 37, 40, 42 or 52 mm
Hus	Black plastic case with panel frame and clamp Chromated steel case with panel ring and clamp Black plastic case with panel ring and clamp Black plastic case with spring clips Also plastic case in white or grey
Scale range	Scale range min -100°C, max 400°C Unit Celsius °C or Celsius + Fahrenheit °C+°F
Dial	Dial of plastic or aluminium White background with black figures Black background with white figures Option with customer logo or coloured sectors
Mounting	Panel mounting with clamp or spring clips
Glass	Instrumentglass or plexiglass
Measuring system	Expansion type, filling Xylol
Capillary	Plastic coated (temperature max 120°C) Copper braided (temperature max 350°C) Stainless steel (temperature max 400°C)
Capillary length	Max 5 meter capillary
Stem	Immersion stem of brass or stainless steel Dim Ø 5, 6, 8, 8,5 or 10 mm
Stem length	Immersion length ET 40-200 mm
Connection	G1/4", G3/8", G1/2", G3/4", M12x1,5
Type of connection	Rotable connection with thermowell Plain stem without connection Male nut with connection nipple Male nut with thermowell Union nut Compression fitting male



Chromated steel case
with panel ring and clamp
Plastic coated capillary
Rotable connection with thermowell
of brass L-45 mm G1/2"



Black plastic case
with panel frame and clamp
Plastic coated capillary
Plain stem without connection

Thermometer

type IFC with capillary
panel mounting

E 10.24.01

Measuring range			
-40 + 60°C	-20 + 60°C	-10 + 50°C	-30 + 50°C
-40 + 40°C	0 + 60°C	0 + 80°C	0 + 100°C
0 + 120°C	0 + 160°C	0 + 200°C	+50 + 200°C
0 + 250°C	0 + 300°C	+50 + 300°C	0 + 350°C
+50 + 350°C	0 + 400°C	+50 + 400°C	+100 + 400°C

All measuring ranges can be delivered with double unit Celsius + Fahrenheit °C+°F

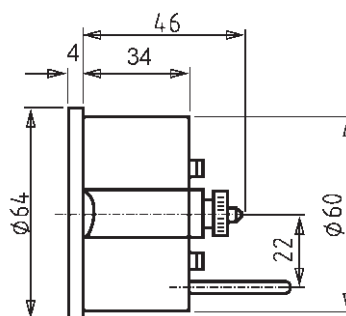
Standard design IFC

Chromated steel case dim 60 mm with panel ring and clamp

Plastic coated capillary. Rotable connection with thermowell SB18 of brass

Immersion length L-45 mm G1/2"

Type	Range	Capillary	Length	Code
IFC	0+120°C	1,5 meter	L-45 mm G1/2"	10600721
		3 meter	L-45 mm G1/2"	10600731
		5 meter	L-45 mm G1/2"	10600751
	0+120°C+F	1,5 meter	L-45 mm G1/2"	10601721



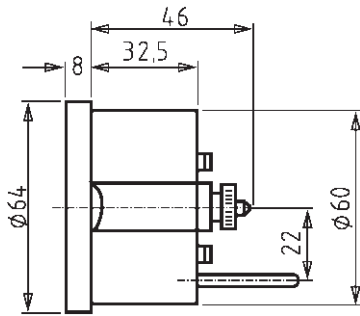
Case dim 60 mm
Chromated steel case
with panel ring and clamp

Thermometer

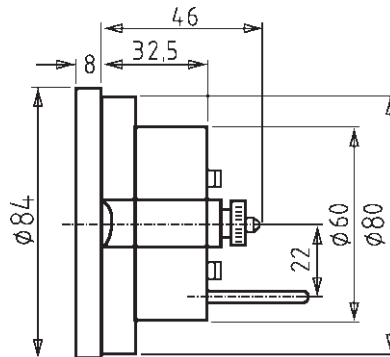
type IFC with capillary
panel mounting

E 10.24.01

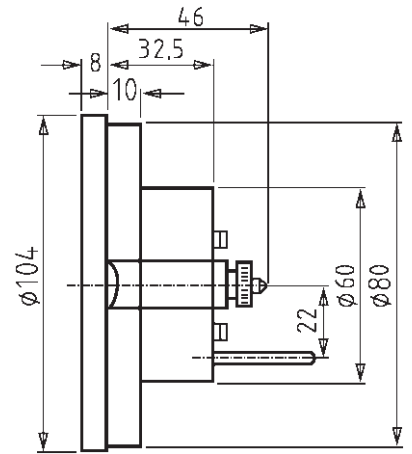
Thermometer case



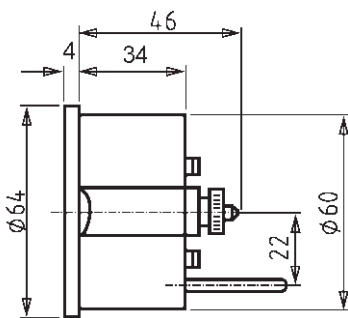
Case dim 60 mm
Black plastic case
with panel frame and clamp



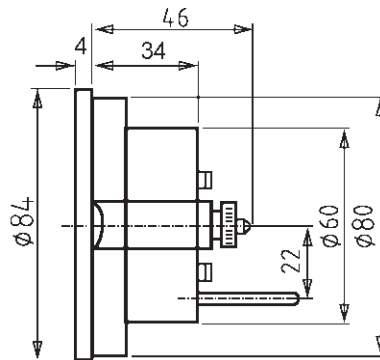
Case dim 80 mm
Black plastic case
with panel frame and clamp



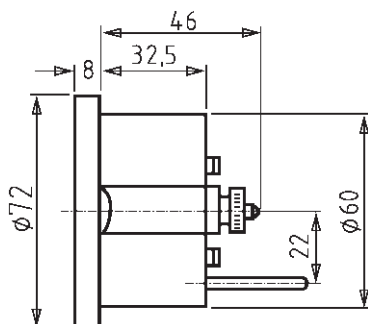
Case dim 100 mm
Black plastic case
with panel frame and clamp



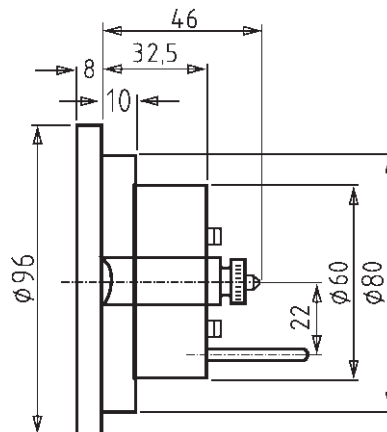
Case dim 60 mm
Chromated steel case
with panel ring and clamp



Case dim 80 mm
Chromated steel case
with panel ring and clamp



Case dim 72x72 mm
Black plastic case
with panel frame and clamp



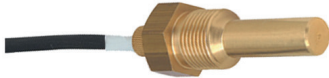
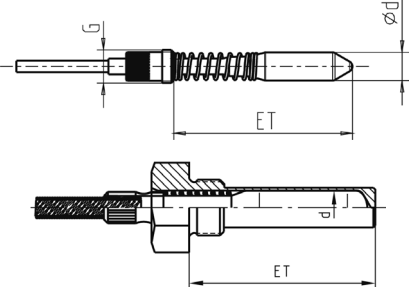

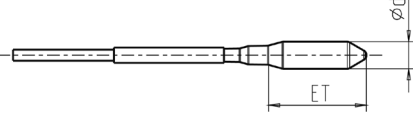

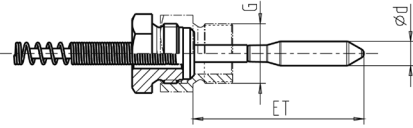

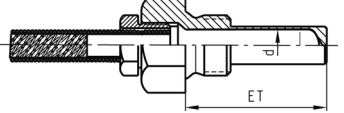

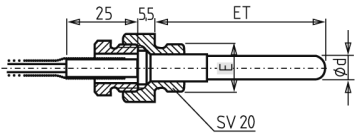
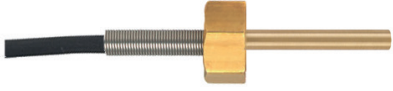
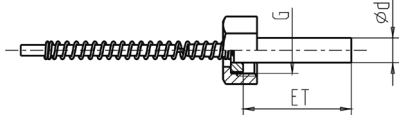
Case dim 96x96 mm
Black plastic case
with panel frame and clamp

Thermometer

type IFC with capillary
panel mounting

E 10.24.01

Connection type

<p>Connection SF95/SB18 Rotable connection M10x1 mm Stem dim \varnothing 8,5 mm With thermowell SB18 G3/8", G1/2" Stem length ET 29, 32, 45, 75, 100 mm Material brass or stainless steel</p>		
<p>Connection SF94 Plain stem without connection Stem dim \varnothing 6, 8, 8,5 or 10 mm Stem length ET 40-200 mm Material brass or stainless steel</p>		
<p>Connection SF91/SV20 Male nut G1/4", G3/8", G1/2" Stem dim \varnothing 5, 6, 8, 8,5 or 10 mm With nipple SV20 G1/4", G3/8", G1/2" Stem length ET 40-150 mm Material brass or stainless steel</p>		
<p>Connection SF91/SH16 Male nut G1/4", G3/8", G1/2" Stem dim \varnothing 5, 6, 8, 8,5 or 10 mm With thermowell SH16 G3/8", G1/2" Stem length ET 40-150 mm Material brass or stainless steel</p>		
<p>Connection SF91/SV19 Male nut G3/8", G1/2" Stem dim \varnothing 5, 6, 8, 8,5 or 10 mm With nipple SV19 G3/8", G1/2" Stem length ET 40-200 mm Material brass or stainless steel</p>		
<p>Connection SF97 Union nut G3/8", G1/2", G3/4" Stem dim \varnothing 6, 8 or 10 mm Stem length ET 40-200 mm Material brass or stainless steel</p>		
<p>Connection SF98 Compression fitting G1/4", G3/8", G1/2" Stem dim \varnothing 6 mm, bulb 8,5 mm Stem length ET 40-200 mm Material brass or stainless steel</p>	